

Height Range:
672mm to 1175mm to top of worktop

Configurations:
Rectangle with alternate shapes: ie. kidney, jellybean, wedge, elliptical, oval, double-d ends.

Weight capacity:
100.0kg evenly distributed load (including worktop)

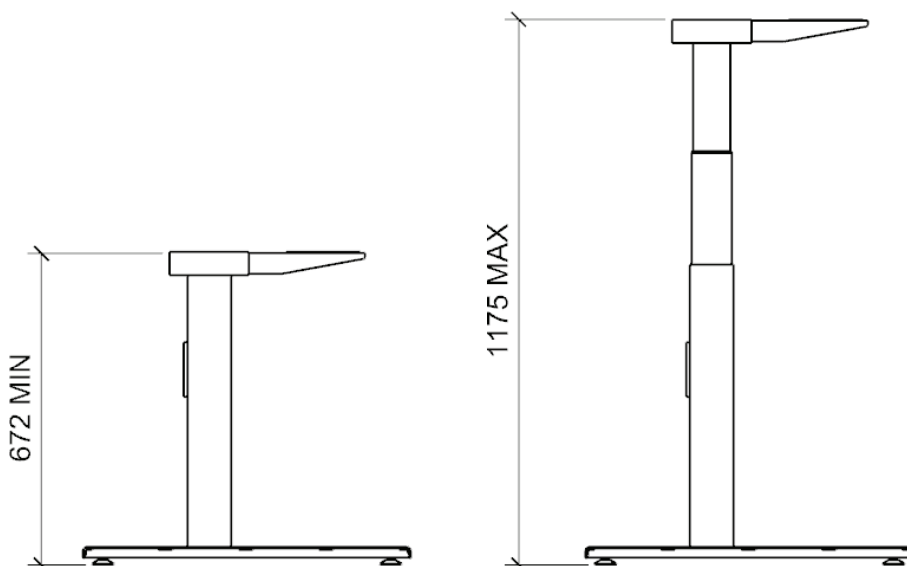
Suits worktop lengths:
1200mm to 2100mm Long

Suits worktop depths:
800mm - 1200mm

Adjustment:
Fingertip adjustment. Release lever will activate the adjustment. Effortless and no electricity.

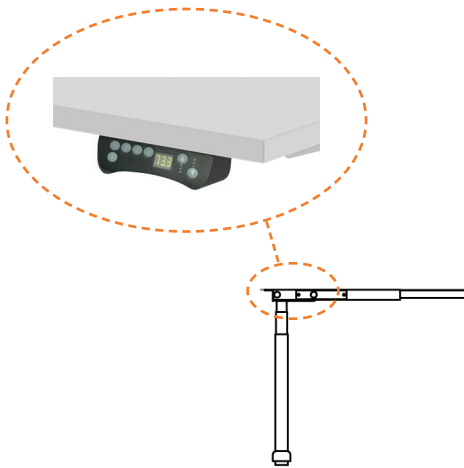
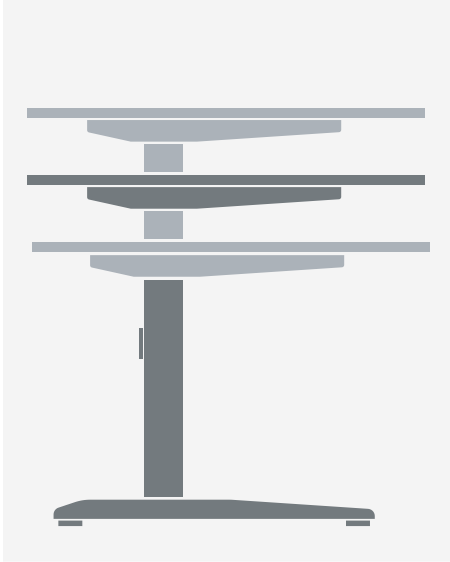
Manufactured:
German engineered.

Powdercoat Frame:
White



direct ergonomics





Height Range:
575mm to 1230mm to underside of worktop

Configurations:
Rectangle, Right Angle
Large range of sizes available

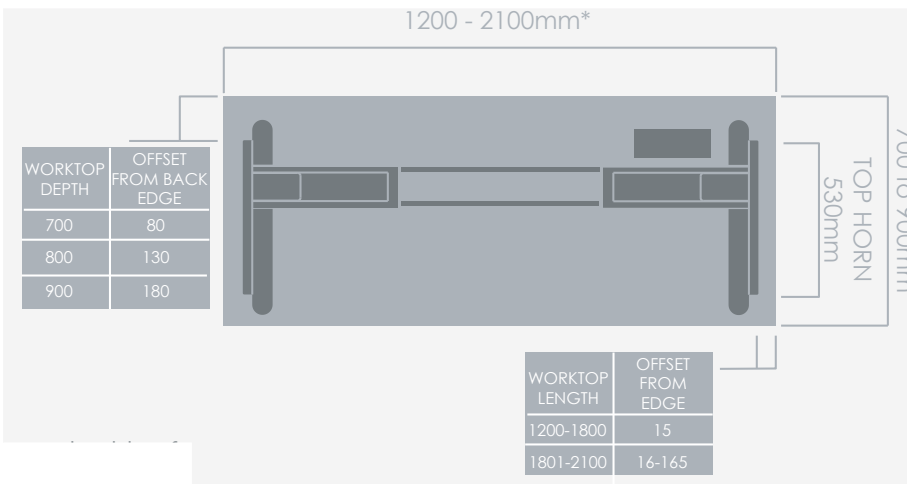
Adjustment:
Electric. 4 programmable height settings with electronic display

Travel Speed:
30mm per second

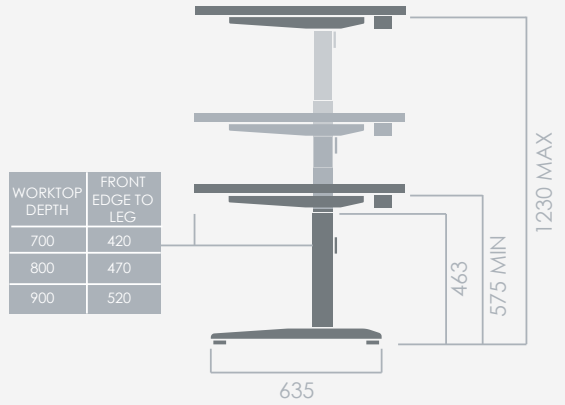
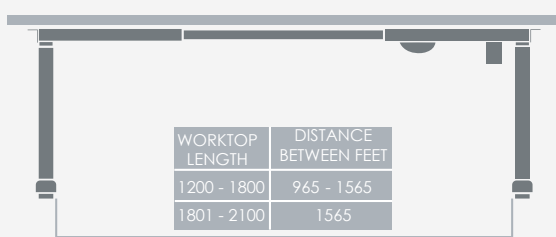
Weight capacity:
80.0kg evenly distributed load (including worktop)

Suits worktop lengths:
1200mm to 2100mm

Suits worktop depths:
700mm to 900mm

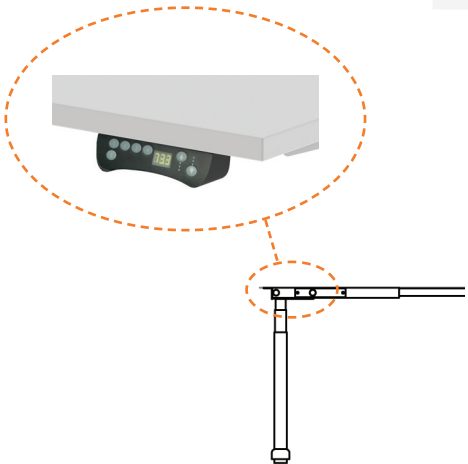
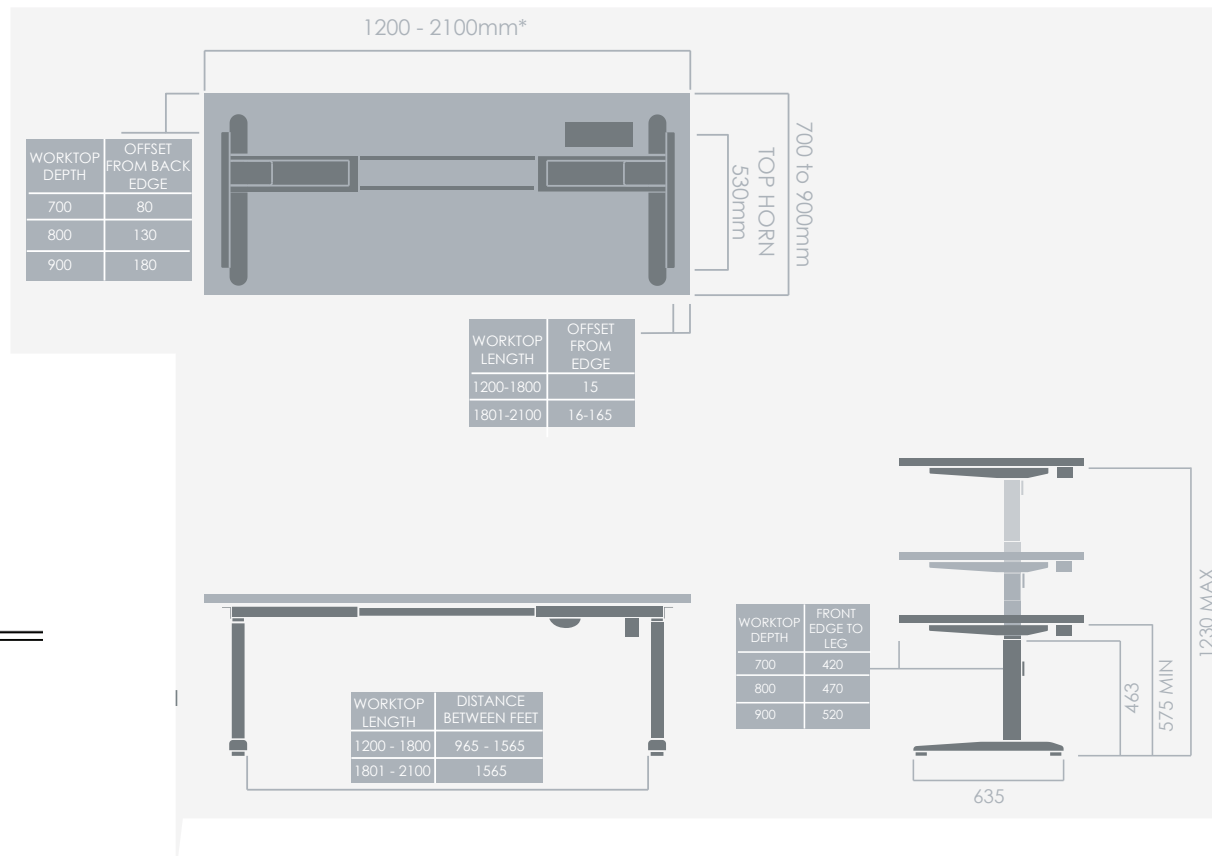
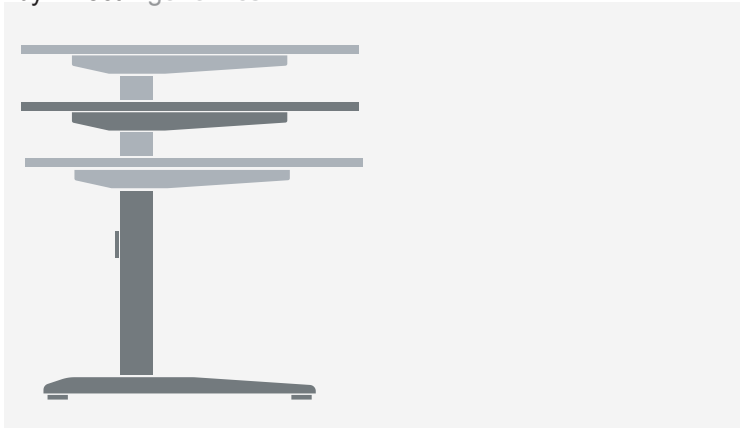


WORKTOP LENGTH	OFFSET FROM EDGE
1200-1800	15
1801-2100	16-165



Sit to Stand - Straight

by DirectErgonomics



Height Range:
575mm to 1230mm to underside of worktop

Configurations:
Rectangle, Right Angle

Adjustment:
Electric. 4 programmable height settings with electronic display

Travel Speed:
30mm per second

Weight capacity:
80.0kg evenly distributed load (including worktop)

Suits worktop lengths:
1200mm to 2100mm

Suits worktop depths:
700mm to 900mm

Lets make a stand, and get this meeting moving.

We are all aware of the benefits of standing for part of our day and what better way to achieve this, than having the option of sit or stand for your next meeting.

Direct Ergonomics offer a vary of of sit to stand options and the Pneumatic operation is perfect when customised to suit a meeting table. It is a findertip adjustment, effortless and requires no electricity! It can be round, rectangle or even kidney shaped.

You will be amazed how brief the meetings tend to be when attendees are standing and how much better your body will feel afterwards.



Pneumatic Meeting Table

Height Range:
670mm to 1180mm

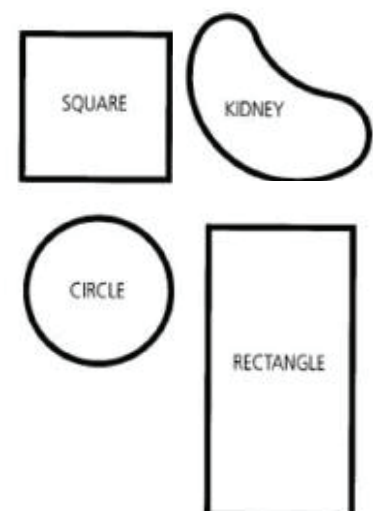
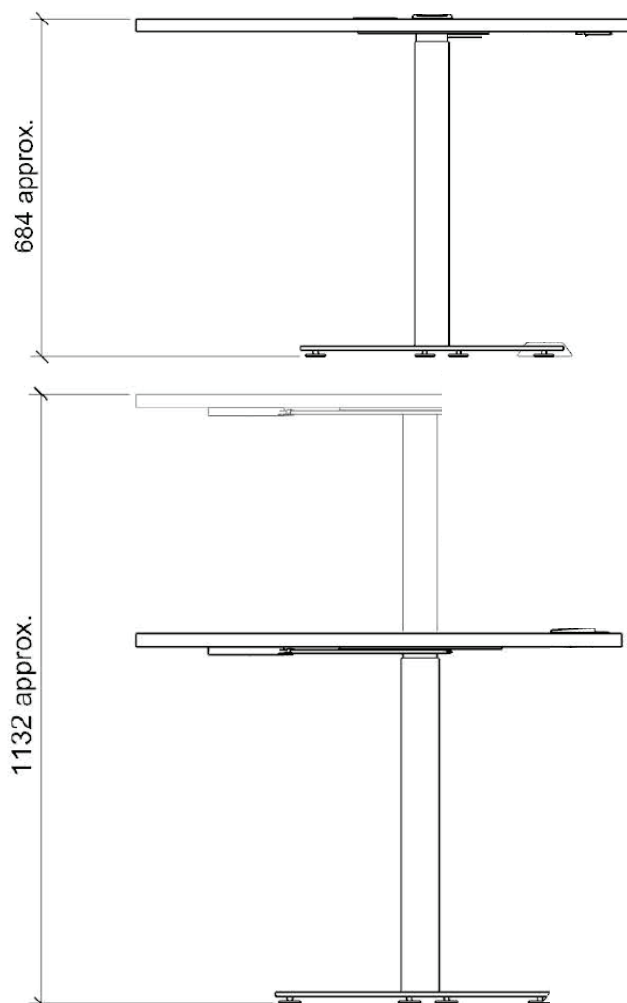
Configurations:
Round, Rectangle or Kidney Shape

Suits top range:
600mm to 1200mm Diameter
600mm - 1200mm Rectangle

Adjustment:
Fingertip adjustment.
Release lever will activate the adjustment. Effortless and no electricity.

Manufactured:
German engineered.

Powdercoat Frame:
White



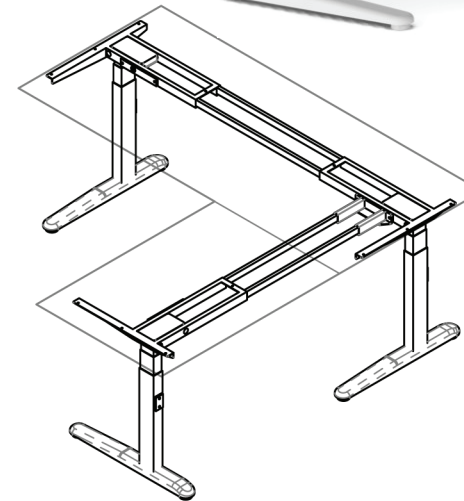
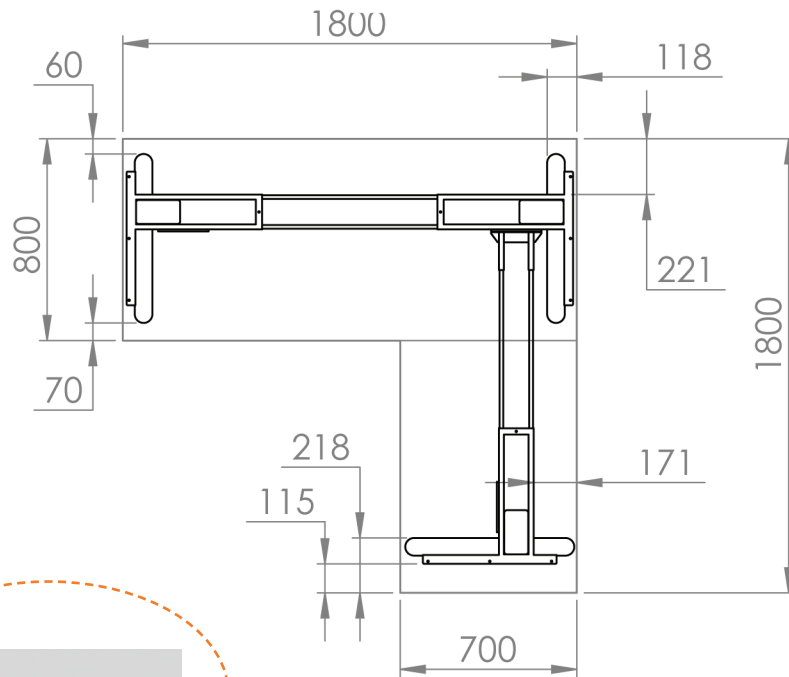
direct ergonomics

Showroom 52 - 58 William Street SYDNEY NSW 2010 • ph 02 9308 0808 • fax 02 9332 1636 • abn 76 003 840 220

© June 2015

• web www.directergo.com.au • email sales@directergo.com.au





Height Range:
575mm to 1230mm to underside
of worktop

Configurations:
Rectangle, Right Angle
Large range of sizes available

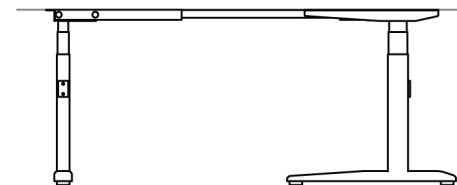
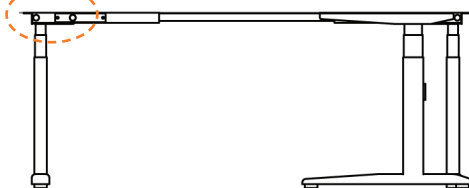
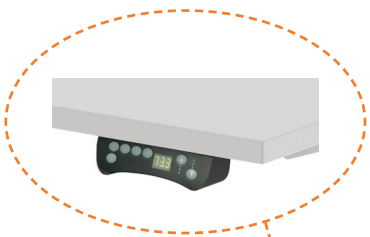
Adjustment:
Electric. 4 programmable height
settings with electronic display

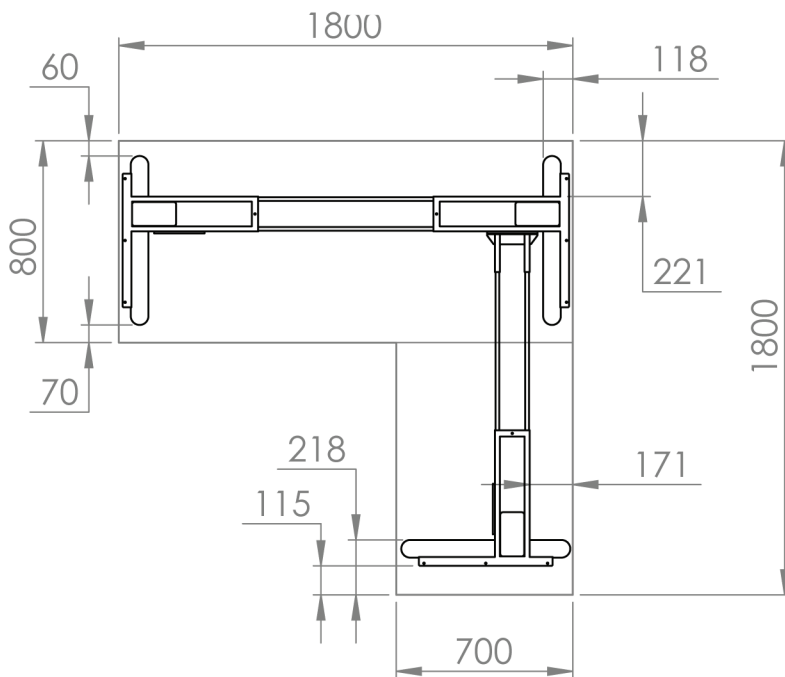
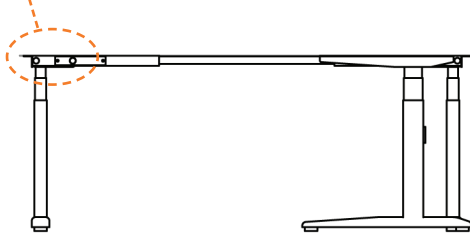
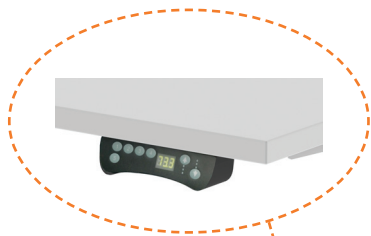
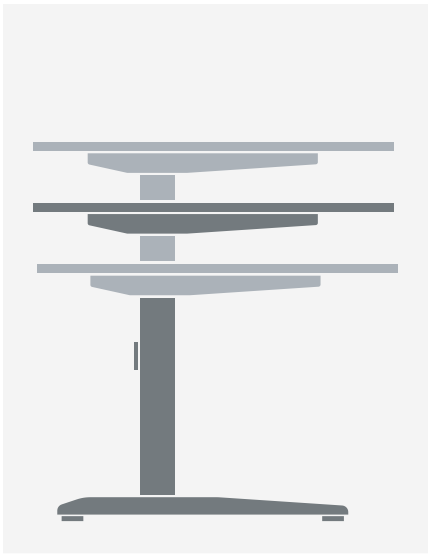
Travel Speed:
30mm per second

Weight capacity:
80.0kg evenly distributed load
(including worktop)

Suits worktop lengths:
1200mm to 2100mm

Suits worktop depths:





Height Range:

575mm to 1230mm to underside of worktop

Configurations:

Rectangle, Right Angle
Large range of sizes available

Adjustment:

Electric. 4 programmable height settings with electronic display

Travel Speed:

30mm per second

Weight capacity:

80.0kg evenly distributed load (including worktop)

Suits worktop lengths:

1200mm to 2100mm

Suits worktop depths:

700mm to 900mm

